




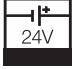
LINEAR RIPPLE

IP 66 IK08

50W/M , 100W/M RIPPLE EFFECT LINEAR PROFILE



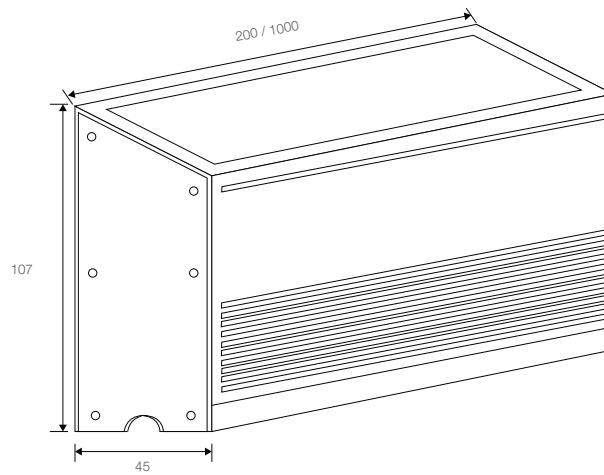
AVAILABLE OPTIONS

<p>LUMINAIRE COLOUR OPTIONS</p>	 <p>Matt Black RAL 9011</p> <p>Matt Grey RAL7001</p>
<p>LIGHT THEME</p>	 <p>Ivory</p>
<p>CONTROL INTERFACE</p>	 <p>DMX</p>
<p>INPUT</p>	 <p>(24V)</p>

LINEAR RIPPLE

IP 66 IK08

DIMENSIONS (MM)



LINEAR RIPPLE 66 IK08

SPECIFICATIONS

FIXTURE	
Family Type	LINEAR RIPPLE
Fixture Colours	Matt black (RAL9011), Grey
Materials	Aluminium
Accessories	N/A
Ingress Protection	IP66, IK08

LED MODULE & DRIVER	
Family Type	Built-in LED module (non-modular)
Typical Operating Voltage	24V
Typical Operating Current	2.083A (50W/m BFN LINEAR), 4.167A (100W/m BFN LINEAR) (1 metre)
System / Input Power	50W/m, 100W/m

Beam Angles	55°
Lifetime	100,000 hours (80% lumen maintenance at Ta = 25°C), B10
Colour Temperatures	Ripple - Ivory
CRI	-
SDCM	N/A
Dimming	DMX (Dimming Control DMX512)
Mains Voltage	24V DC constant voltage
Power Factor	N/A
Fire Safety	Glow wire test 850°C, UL94V-0, VW-1
Flammability Mark	F
Safety Class	Class 3
Standards	IEC 62031
Regulatory Markings	CE, RoHS

PHOTOMETRICS

LINEAR RIPPLE

Height (m)		Emax (lx)	Linear Ripple			Luminous Flux (lm) 1 meter
			TYPE	System Power	CRI	Beam Angle
1	E(0°)	941	Linear Ripple	100W/m	ProART CRI-95	810
	Cone Ø 0° (m)	0.60				
	Cone Ø 90° (m)	0.60				
2	E(0°)	235	Linear Ripple	50W/m	ProART CRI-95	405
	Cone Ø 0° (m)	1.20				
	Cone Ø 90° (m)	1.20				
3	E(0°)	105	Linear Ripple	50W/m	ProART CRI-95	405
	Cone Ø 0° (m)	1.80				
	Cone Ø 90° (m)	1.80				
4	E(0°)	59	Linear Ripple	50W/m	ProART CRI-95	405
	Cone Ø 0° (m)	2.40				
	Cone Ø 90° (m)	2.40				
5	E(0°)	38	Linear Ripple	50W/m	ProART CRI-95	405
	Cone Ø 0° (m)	3.00				
	Cone Ø 90° (m)	3.00				

Wireless configurator [BFN-PP:WC] is sold separately.

Correction Factor: Linear Ripple 20W - f = 1.00
Linear Ripple 10W - f = 0.50

ORDERING MATRIX CHART

Type	Fixture				LED Module				Control							
	Finishing	Cover	Length		Ingress Protection	LED Power		Beam Angle		Light Theme	Interface					
BFN-LINEAR	MB	Matt Black	C	Clear	200	200	IP66	IP66	50	50W/m	55	55°	R1-IV	Ripple-Ivory	DMX	DMX512
	GR	Grey			1000	1000			100	100W/m						

example: BFN-LINEAR,MB,C.200.IP66.50.55.R1-IV.DMX